



C.R. LAURENCE CO., INC.
PROFESSIONAL QUALITY

IMPORTANT NOTE: If installing a Hydroslide unit with a 90 degree return panel, use **ONLY** these instructions. Do not use the Installation Instructions included in the 180 Degree Standard Kit (HYDK60 or HYDK84).

Assembly Instructions for 90° Hydroslide Shower Doors:

1. Determine the location of the fixed panels on the curb/knee wall. As a guideline, when no vertical fastener is used against the wall a 1/8" (3 mm) clearance is recommended.
2. Locate the HYD05 Wall-to-Glass Bracket on the vertical wall the 90 degree return panel butts. Fasten the HYD05 Wall-to-Glass Bracket to the vertical wall the 90 degree return panel butts. Fasten the fixed panels to the curb/knee wall using the pre-determined choice of clamps or U-channel.
3. Cut the Sliding Shower Door Upper Track 5/8" (16 mm) shorter than the dimension from the wall to the outside of the 90 degree return panel, where the track is to be mounted.
4. On the fixed panel that mounts to the header, measure from the edge of the glass that butts into the return panel to the center of the holes in the fixed panel of glass at the top. Determine the correct location to set the connectors into the Sliding Shower Door Upper Track.
5. Using the location to the center of the holes in the fixed panel glass, add the pre-determined silicone clearance allotted between the fixed glass and the return panel the fixed panel butts. These figures will determine exactly where the holes will be located in the Sliding Shower Door Upper Track. For example: If the center of the hole at the top of the glass is located 6" (152 mm) in from the return panel-butting edge and a clearance between the glass and the return panel has been set at 1/16" (1.5 mm), the hole location for the connector would be set at 6 1/16" (154 mm) in from the end of the Sliding Shower Door Upper Track.
6. Measure from the end of the Sliding Shower Door Upper Track to mark where the holes for the connectors are to be drilled.
7. Using the Drilling Guide and drill bit provided, drill clearance holes in the Sliding Shower Door Upper Track. (See figure 1)
8. Slide the connecting nut into the race in the interior of the Sliding Shower Door Upper Track, and align to the clearance hole. Use the Drilling Guide to assist in aligning the connecting nut. (See figure 2)
9. Fasten the connector to the Sliding Shower Door Upper Track snugly using the stud provided.
10. To determine the correct location for the Wall to Upper Track "L" shaped Bracket, first establish where the center of the sliding panel will close. The sliding panel is centered in the Sliding Shower Door Upper Track. It is important to note the distance between the sliding panel and the inline fixed panel. Between the two pieces of glass there is a 13/16" (21 mm) gap. So, if 3/8" (10 mm) glass were being used, from the centerline of the sliding panel to the centerline of the inline fixed panel the distance is 1-3/16" (30 mm). Use this information to locate the Wall to Upper Track "L" shaped Bracket. The highest part of this kit is the fixed panel, which is 1/2" (12 mm) higher than the top of the Sliding Shower Door Upper Track. From the top of the fixed panel down to the center of the hole drilled in the wall, the dimension is 1-5/8" (41 mm). Therefore, from the top of the Sliding Shower Door Upper Track to the center of the hole for the Wall to Upper Track Bracket is 1-1/8" (28 mm) (see diagram on next page). To mount the 90 Degree Glass-to-Sliding Track Connector, simply place the outside mounted fastener with the stud through the hole in the return panel, assuring there is a gasket to buffer the glass to metal. From inside the shower, fasten the disc-shape with the tab to the top using the screw provided. Tighten the screw securely.
11. At this time the Roller Stops and Glass Hangers will be inserted into the Upper Track. Insert one of the Roller Stops into the end of the Upper Track. Next, insert both of the Glass Hangers into the Upper Track with the clamping screws facing into the shower. Lastly, insert the second Roller Stop into the same end of the Upper Track. The end result should be: Roller Stop, Glass Hanger, Glass Hanger and Roller Stop.
12. The Sliding Shower Door Upper Track is now to be mounted into place. Slip the Upper Track over the top of the "L" Brackets.
13. Using the screws provided, permanently fasten the Upper Track to the "L" Brackets. Use caution not to over-tighten, as it's possible to strip the screw race in the header.
14. Mount the fixed panel into the curb and position the holes at the top of the panel into the connectors.
15. With the plastic washers in place, permanently tighten down the blind fasteners through the hole in the glass.
16. Fasten the bottom guide to the curb.
17. Position the sliding door in the opening by setting the sliding door on tapered wood shims.
18. Roll the Glass Hangers into alignment with the holes at the top of the sliding door glass.
19. Once the door is adjusted to the correct location, assure the clear gaskets in the Glass Hangers are in place. Tighten the Glass Hangers permanently to the glass.
20. Remove the wood shims from under the sliding door.
21. To limit the sliding range of the door and assure safe usage, position the Roller Stops in the header using the screws provided.
22. Install Knobs, Handles, or Towel Bars that you may be using.
23. Apply DK98L ("L" shaped vinyl) on the wall to which the sliding door closes, or to the 90 degree return fixed panel, using double-sided clear VHB tape. The vinyl should be positioned so that the door slides into the small "nub" that protrudes from the surface of the vinyl. This will help act as a bumper.
24. An optional piece of Threshold (included in kit) may also be installed at this time. It is simply siliconed to the floor under the sliding portion of the door.
25. Test the unit by sliding the door back and forth to make sure the Roller Stops are in the correct position.

C.R. Laurence Co., Inc. For technical assistance in the United States call toll free (800) 421-6144; from Canada call toll free (877) 421-6144;
crlaurence.com Outside the U.S. and Canada call (323) 588-1281. Ask for Tech Sales at Extension 7740. Toll free fax (800) 458-7496.



Figure 1

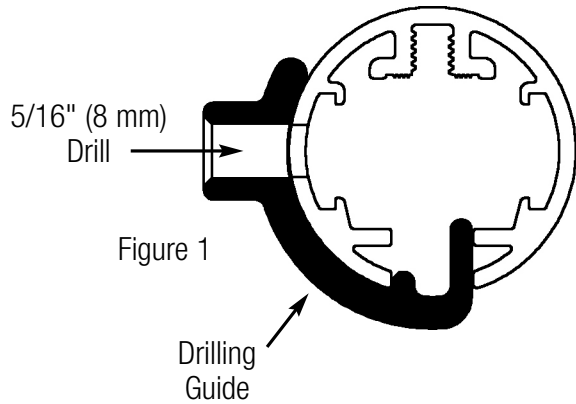
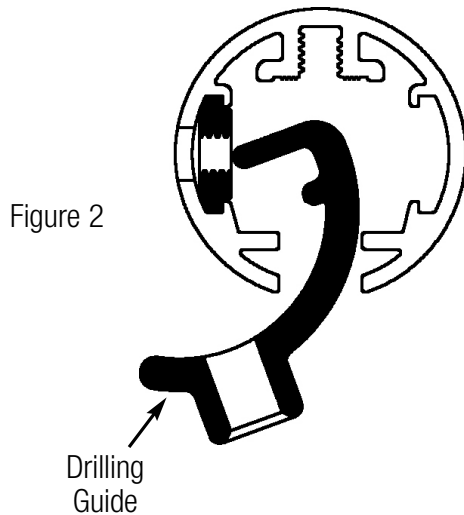


Figure 2



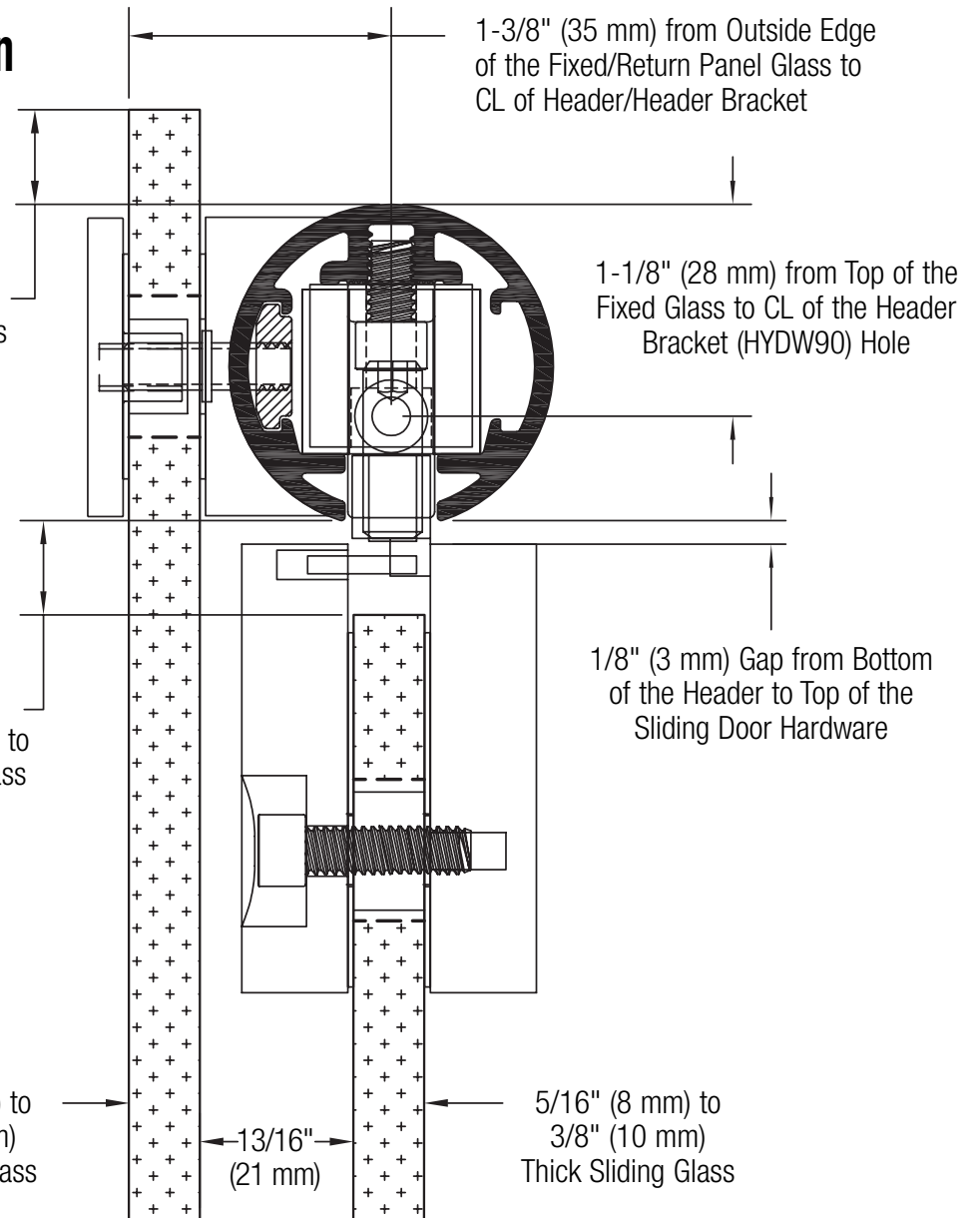
Cross Section Diagram

(See step 10 on previous page)

1/2" (12 mm) from Top of the Fixed Glass to Top of the Header

1/2" (12 mm) from Bottom of the Header to Top of the Sliding Glass

5/16" (8 mm) to 3/8" (10 mm) Thick Fixed Glass



5/16" (8 mm) to 3/8" (10 mm) Thick Sliding Glass

CRL Hydroslide Sliding Shower Door

Glass and Metal Cutting Formula 90 Degree Application

Specifications:

Overall width = Distance from wall to outside edge of the return panel

Overall height = Height from curb to top of fixed glass

Overall depth = Distance from wall to outside edge of the return and/or fixed panel

Fixed and return glass panels extend 1/2" (12 mm) above top of the header

Fixed and return glass height formula is based on using "U" Channel or clamps. A 3/16" (5 mm) standard deduction is used at the bottom of the fixed/return panels.

Fixed and sliding glass panels overlap is 2" (51 mm)

Standard gap between wall and sliding and/or return glass is 1/8" (3 mm)

Standard silicone gap between return and fixed glass is 1/8" (3 mm)

Header height is 1-11/16" (43 mm)

Gap between sliding glass panel and bottom of the header is 1/2" (12 mm)

Gap between fixed and sliding glass panels is 13/16" (21 mm)

Sliding glass height formula is based on using a 5/16" (8 mm) standard deduction at the bottom.

Metal Size Cutting Formula:

Header = Overall width measurement less 5/8" (16 mm)

Glass Size Cutting Formula:

Width of fixed and/or sliding glass = Overall width divided by 2, plus 11/16" (17 mm)

Width of return glass = Overall depth – 1/8" (3 mm)

Height of fixed glass and height of return glass = Overall height – 3/16" (5 mm)*

Height of sliding glass = Overall height – 3" (76 mm)*

* Reminder – Overall height is determined from curb to top of fixed/return glass

* Reminder – Refer to CRL Shower Door Catalog for hole information for any Towel Bars, Knobs or Handles you may be using.

For glass drilling instructions, see next page

D = Depth
W = Width
H = Height

